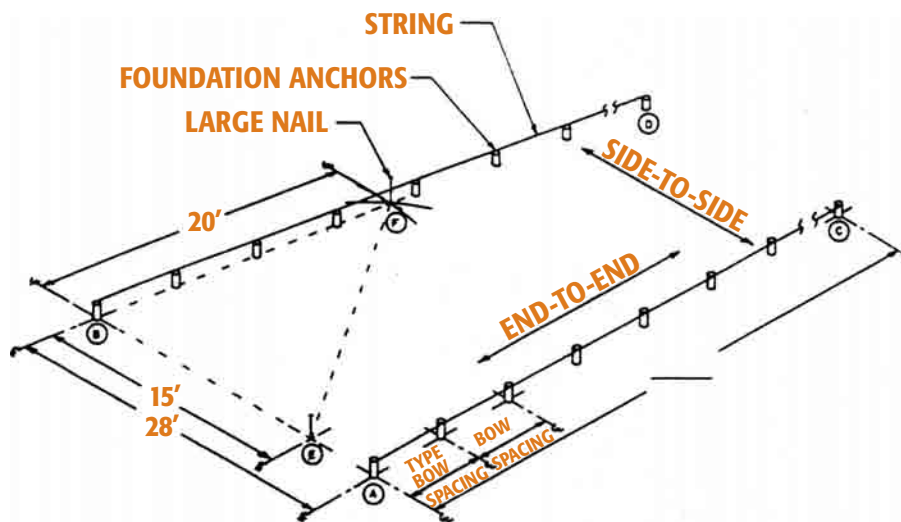


GROWER TIPS

SITE PREPARATION FOR YOUR PROPOSED GREENHOUSE

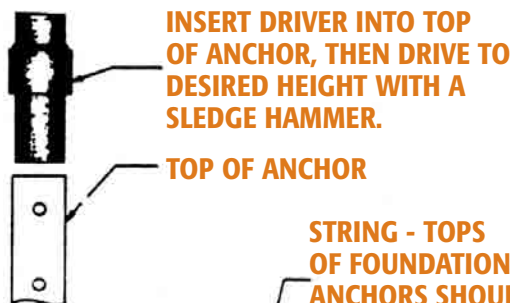
SITE PREPARATION

1. It is desirable to have your site level. (Although not absolutely necessary.) Remember that a sloped site will add its own problems with carts and other production equipment after your greenhouse is erected. Time spent leveling your site now will save erection time immediately and production time in years to come.
2. Greenhouses should be level from side-to-side but may have up to a 5 ft. drop per 100 feet from end-to-end. (5% grade)
3. Site should be as close as possible to a straight grade without dips or humps.



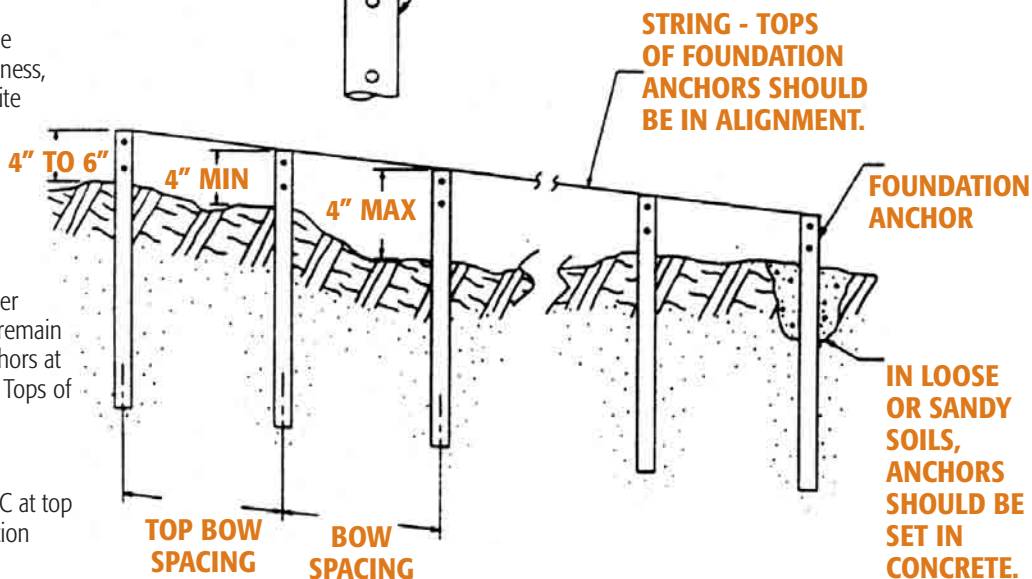
LAYOUT

1. Stake out end A - B of greenhouse with pegs or spikes at the corners.
2. Using a 3-4-5 triangle, square corners for each end. A triangle having 3 ft. x 4 ft. x 5 ft. has a 90° angle (square corner) at the intersection of the 3 ft. and 4 ft. sides. This triangle of any multiple of the sides will have a square corner. For example: two times 2 x 4 x 5 is 6 x 8 x 10. Ten times 3 x 4 x 5 is 20 x 40 x 50. All have a square corner.
3. Layout ends and opposite side using the same technique. As a check for squareness, diagonal measurement between opposite corner posts should be equal.



INSTALLATION

1. Use steel driver to protect the top ends of the foundation anchors.
2. Drive a foundation anchor at each corner (A, B, C, D). Four to six inches should remain above ground. Tops of foundation anchors at A & B should be level with each other. Tops of C & D should be level with each other.
3. Align holes as shown.
4. Pull string tightly from point A to point C at top outside edge of the two corner foundation anchors. (Same for side B - D)
5. Drive remaining foundation anchors on inside of string. Place these on appropriate centers and drive tops even with string.





GOLDEN PACIFIC GREENHOUSE STRUCTURES

COMMERCIAL GROWING STRUCTURES

The **WINDJAMMER SERIES 5000** stand alone Cold Frame combines state of the art technology with a proven common sense approach to construction.

FEATURES:

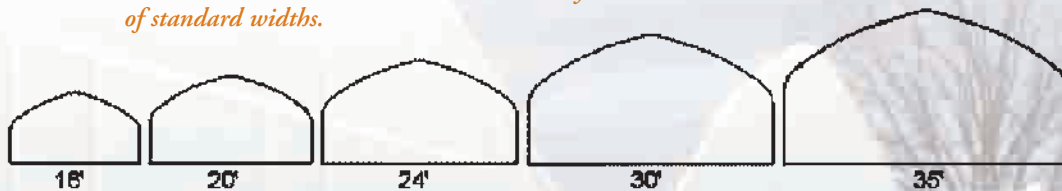
- Square tube ground stakes & bows for added strength.
- High Tunnel performance – The WINDJAMMER SERIES 5000 as some of the tallest side wall and peak heights on the market today.
- Gothic Arch profiles for greater structural integrity and snow/ice run off.
- Heavy-duty purlin and wind bracing assemblies
- Simplified installation procedures



Based on the **SECTION PROPERTIES** alone, our 2" square tube is 27% stronger than the 1.90" round pipe. An engineering analysis comparing Golden Pacific Structures' 2" square tube bow to a typical 1.90" round pipe reveals:

1.90" Round Pipe – 14 Gauge	2" Square Tube – 16 Gauge
A = 0.4738 in ²	A = 0.5031 in ²
I = 0.1959 in ⁴	I = 0.2434 in ⁴
S = 0.2062 in ³	S = 0.2630 in ³

The WINDJAMMER SERIES 5000 structure is available in a variety of standard widths.



GOLDEN PACIFIC GUTTER CONNECTED SERIES 6000



PRICED RIGHT

This gutter connected greenhouse is designed to meet almost any budget. The key to maintaining a low cost is our use of standard Windjammer components combined with a 12 gauge galvanized steel gutter connecting the greenhouses together.

STRONG

Incorporating 2 1/4" Square ground stakes and 2" square tubing, this is one of the strongest structures in its class.

HIGH TUNNEL PERFORMANCE

Golden Pacific Structure's commitment to high side-walls and even higher peak heights ensure the growing quality within these greenhouses are optimized.



PAUL BOERS

TOTAL GROWING SYSTEMS



COLDFRAMES

The 20' Coldframe is an easy to assemble, low-cost growing structure. Designed to cope with condensation run-off, shed snow and withstand harsh conditions while remaining stable, the Coldframe is an ideal choice for a wide range of locations. The position of the side purlins accommodates quick and convenient side loading and unloading of stock. Available in 20" width, 4" or 5" arch spacing.

FREESTANDING

Our practical Freestanding greenhouse is being used throughout North America to grow a variety of crops. Different sizes and options are available to meet your immediate needs. All parts are pre-drilled, easy to assemble, and are built with long-lasting galvanized steel components. The roof's gothic peak helps shed snow. Heat with forced air; ventilate with fans and motorized shutters, just roll up the sides and let the breeze in or ventilate with our motorized poly roof vent. Also available with polycarbonate roof panels and rise vents, with either motorized or manual openers. Available in 21' and 24' freestanding, 30' and 32' widespan.



HERCULON

Recognized for its simplicity of design, Herculon greenhouses are unsurpassed for versatility, reliability and cost effectiveness. Built to exacting standards, this engineers design will provide long years of quality service. The Herculon can be equipped with ridge vents, poly-gutter vents, roll-up vents, or conventional forced air cooling. These features, combined with minimal light loss, certified design, and quality materials make Herculon gutter connect greenhouses an excellent long term investment. Available 18', 21', 24', and 27' widths, twin 18', 21', and 24' widths.

Call for more information or visit www.paulboers.com

